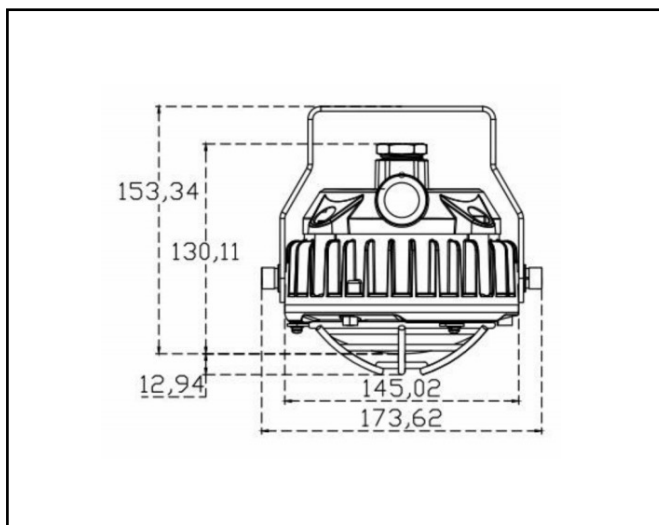


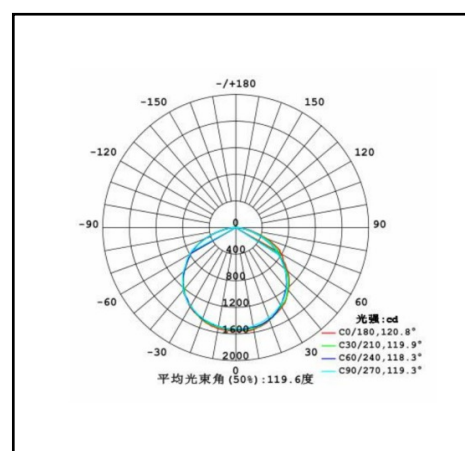
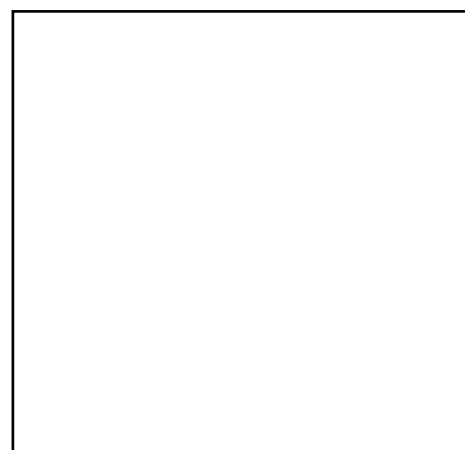
# Product data sheet

## ATEX10 MINI LED

10W – 1200lm – 120° - 5700K



<b>Description</b>	Surface mounted LED fixture to work in flammable and explosive environments for places with low ceilings ATEX category: II 2G Ex db IIC T6 Gb ECM 18 ATEX 2599
<b>Dimensions (mm)</b>	153,34mm x 173,62mm
<b>Weight (kg)</b>	3,2 kg
<b>Housing</b>	Injected aluminium with oven painted coating and elongated watertight protective glass
<b>Colour</b>	Grey
<b>Optical system</b>	Elongated watertight protective glass – 120°
<b>Lighting Distribution</b>	Direct
<b>Unified Glare Ratio</b>	22
<b>Colour temperature (K)</b>	5700K
<b>CRI (Ra)</b>	>70
<b>SCDM</b>	3
<b>Net lumen output (25°C)</b>	1200lm
<b>Efficacy – LOR (lm/W)</b>	120lm/W
<b>Power (driver incl.)</b>	10 W
<b>Driver</b>	Included
<b>IP</b>	IP 66
<b>IK</b>	IK 08
<b>Lifetime (hours)</b>	100.000h L80 B10
<b>Warranty</b>	5 years
<b>Origin</b>	Spain
<b>Norms</b>	LVD 2006/95/EC EMC 2004/108/EC RoHS 2001/65/EC EN-60079-0:2012+A11:2013 EN-60079-1:2014 / EN-60079-28:2015 / EN-60079-31:2014
<b>Marks</b>	CE Ex



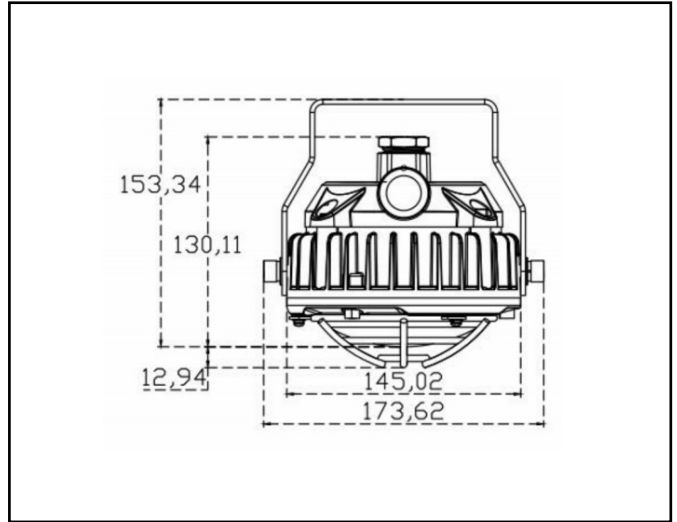
All specifications, descriptions and images are purely informative, not binding and subject to errors and changes

Euro-Luce Light Engineering  
Ballingsweg 25 – 9620 Zottegem  
[info@euro-luce.be](mailto:info@euro-luce.be)  
[www.euro-luce.be](http://www.euro-luce.be)  
Tel 0032 54 55 71 10

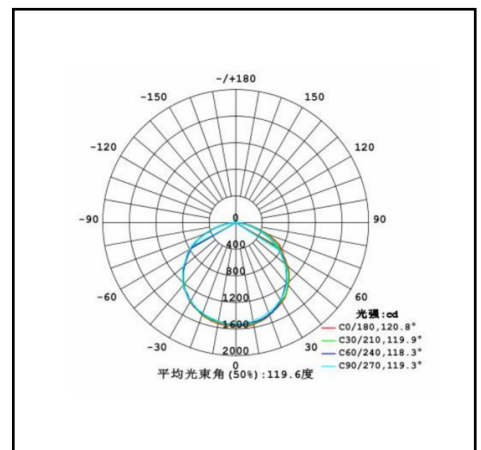
# Product data sheet

## ATEX10 MINI LED

20W – 2400lm – 120° - 5700K



<b>Description</b>	Surface mounted LED fixture to work in flammable and explosive environments for places with low ceilings ATEX category: II 2G Ex db IIC T6 Gb ECM 18 ATEX 2599
<b>Dimensions (mm)</b>	153,34mm x 173,62mm
<b>Weight (kg)</b>	3,2 kg
<b>Housing</b>	Injected aluminium with oven painted coating and elongated watertight protective glass
<b>Colour</b>	Grey
<b>Optical system</b>	Elongated watertight protective glass – 120°
<b>Lighting Distribution</b>	Direct
<b>Unified Glare Ratio</b>	22
<b>Colour temperature (K)</b>	5700K
<b>CRI (Ra)</b>	>70
<b>SCDM</b>	3
<b>Net lumen output (25°C)</b>	2400lm
<b>Efficacy – LOR (lm/W)</b>	120lm/W
<b>Power (driver incl.)</b>	20 W
<b>Driver</b>	Included
<b>IP</b>	IP 66
<b>IK</b>	IK 08
<b>Lifetime (hours)</b>	100.000h L80 B10
<b>Warranty</b>	5 years
<b>Origin</b>	Spain
<b>Norms</b>	LVD 2006/95/EC EMC 2004/108/EC RoHS 2001/65/EC EN-60079-0:2012+A11:2013 EN-60079-1:2014 / EN-60079-28:2015 / EN-60079-31:2014



All specifications, descriptions and images are purely informative, not binding and subject to errors and changes

Euro-Luce Light Engineering  
Ballingsweg 25 – 9620 Zottegem  
[info@euro-luce.be](mailto:info@euro-luce.be)  
[www.euro-luce.be](http://www.euro-luce.be)  
Tel 0032 54 55 71 10

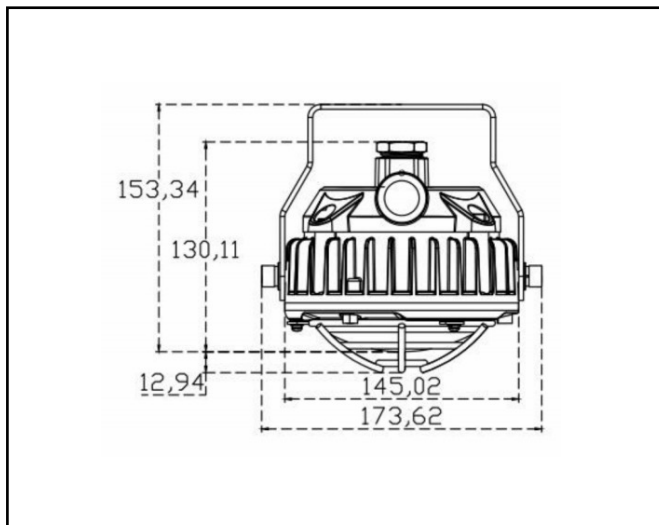
Marks



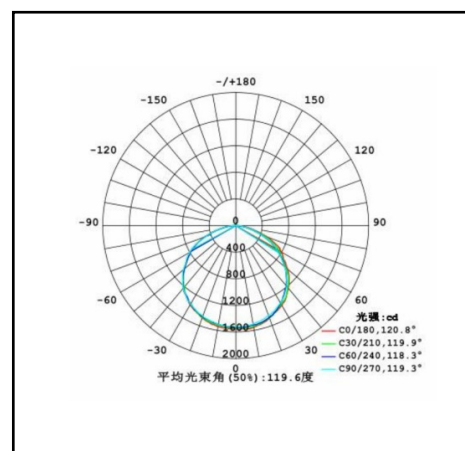
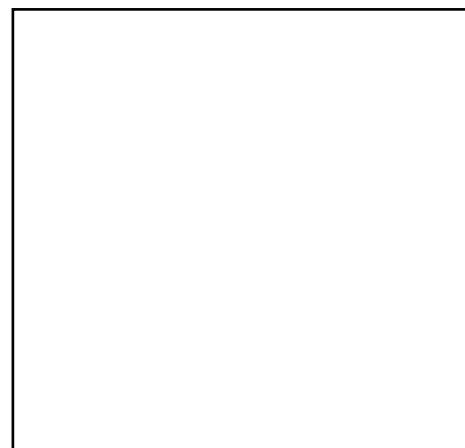
# Product data sheet

## ATEX10 MINI LED

30W – 3600lm – 120° - 5700K



<b>Description</b>	Surface mounted LED fixture to work in flammable and explosive environments for places with low ceilings ATEX category: II 2G Ex db IIC T6 Gb ECM 18 ATEX 2599
<b>Dimensions (mm)</b>	153,34mm x 173,62mm
<b>Weight (kg)</b>	3,2 kg
<b>Housing</b>	Injected aluminium with oven painted coating and elongated watertight protective glass
<b>Colour</b>	Grey
<b>Optical system</b>	Elongated watertight protective glass – 120°
<b>Lighting Distribution</b>	Direct
<b>Unified Glare Ratio</b>	22
<b>Colour temperature (K)</b>	5700K
<b>CRI (Ra)</b>	>70
<b>SCDM</b>	3
<b>Net lumen output (25°C)</b>	3600lm
<b>Efficacy – LOR (lm/W)</b>	120lm/W
<b>Power (driver incl.)</b>	30 W
<b>Driver</b>	Included
<b>IP</b>	IP 66
<b>IK</b>	IK 08
<b>Lifetime (hours)</b>	100.000h L80 B10
<b>Warranty</b>	5 years
<b>Origin</b>	Spain
<b>Norms</b>	LVD 2006/95/EC EMC 2004/108/EC RoHS 2001/65/EC EN-60079-0:2012+A11:2013 EN-60079-1:2014 / EN-60079-28:2015 / EN-60079-31:2014
<b>Marks</b>	CE Ex



All specifications, descriptions and images are purely informative, not binding and subject to errors and changes

Euro-Luce Light Engineering  
Ballingsweg 25 – 9620 Zottegem  
[info@euro-luce.be](mailto:info@euro-luce.be)  
[www.euro-luce.be](http://www.euro-luce.be)  
Tel 0032 54 55 71 10