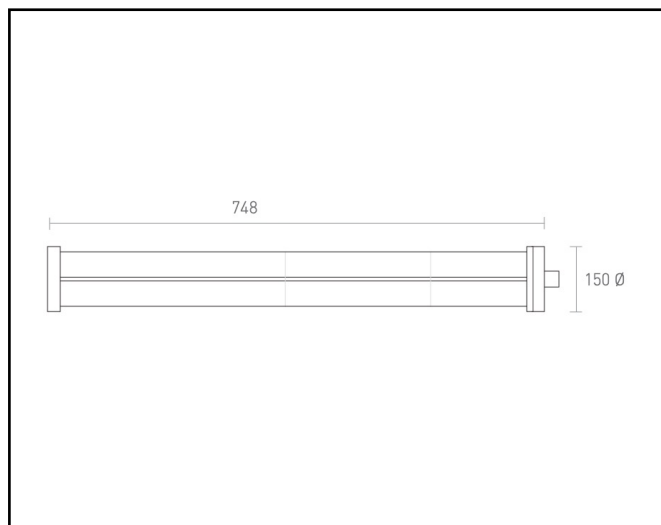


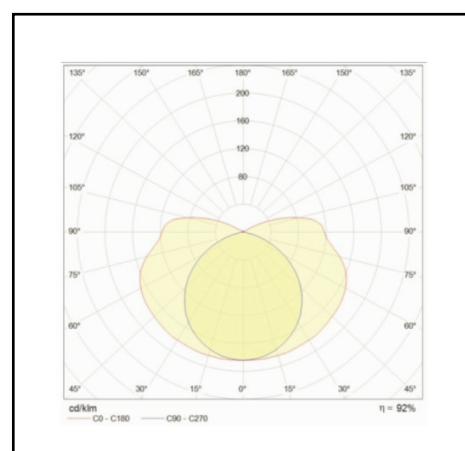
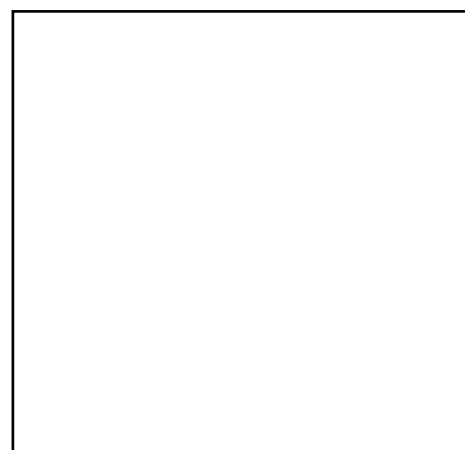
Product data sheet

ATEX909 WATERPROOF

28W – 4300lm – 4000K – 120°



Description	Watertight screen prepared to work in flammable and explosive environments for zone 1-21 and 2-22 ATEX category: II 2G Ex db IIB+H2 T6 Gb and II 2D Ex tb IIIC
Dimensions (mm)	748mm x 150mm
Weight (kg)	9,7 kg
Housing	Polycarbonate injected with additives
Colour	Grey
Optical system	Polycarbonate – 120°
Lighting Distribution	Direct
Unified Glare Ratio	22
Colour temperature (K)	4000K
CRI (Ra)	>80
SCDM	3
Net lumen output (25°C)	4300lm
Efficacy – LOR (lm/W)	153lm/W
Power (driver incl.)	28 W
Driver	Included
IP	IP 66
IK	IK 10
Lifetime (hours)	50.000h L70 B50
Warranty	5 years
Origin	Spain
Norms	LVD 2006/95/EC EMC 2004/108/EC RoHS 2001/65/EC UNE-EN 60598-1;2015+A1:2018 + EN 62262 CISPR 15:2018 , EN61000-3-2:2019 , EN 61000-3-3:2013 , EN61547:2020
Marks	CE Ex



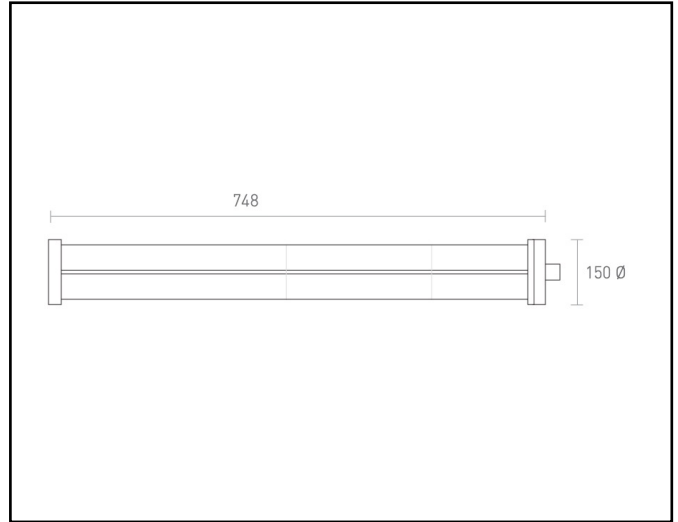
All specifications, descriptions and images are purely informative, not binding and subject to errors and changes

Euro-Luce Light Engineering
Ballingsweg 25 – 9620 Zottegem
info@euro-luce.be
www.euro-luce.be
Tel 0032 54 55 71 10

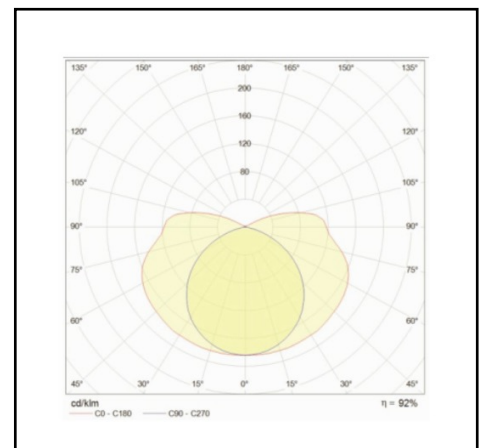
Product data sheet

ATEX909 WATERPROOF

28W – 4300lm – 5000K – 120°



Description	Watertight screen prepared to work in flammable and explosive environments for zone 1-21 and 2-22 ATEX category: II 2G Ex db IIB+H2 T6 Gb and II 2D Ex tb IIIC
Dimensions (mm)	748mm x 150mm
Weight (kg)	9,7 kg
Housing	Polycarbonate injected with additives
Colour	Grey
Optical system	Polycarbonate – 120°
Lighting Distribution	Direct
Unified Glare Ratio	22
Colour temperature (K)	5000K
CRI (Ra)	>80
SCDM	3
Net lumen output (25°C)	4300lm
Efficacy – LOR (lm/W)	153lm/W
Power (driver incl.)	28 W
Driver	Included
IP	IP 66
IK	IK 10
Lifetime (hours)	50.000h L70 B50
Warranty	5 years
Origin	Spain
Norms	LVD 2006/95/EC EMC 2004/108/EC RoHS 2001/65/EC UNE-EN 60598-1;2015+A1:2018 + EN 62262 CISPR 15:2018 , EN61000-3-2:2019 , EN 61000-3-3:2013 , EN61547:2020
Marks	CE Ex



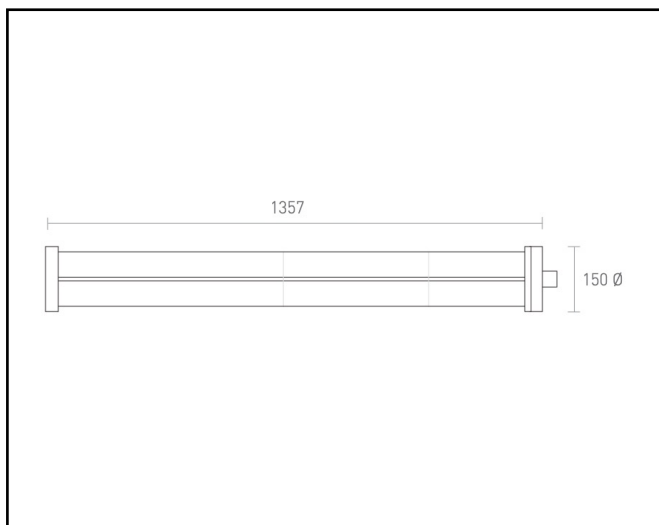
All specifications, descriptions and images are purely informative, not binding and subject to errors and changes

Euro-Luce Light Engineering
Ballingsweg 25 – 9620 Zottegem
info@euro-luce.be
www.euro-luce.be
Tel 0032 54 55 71 10

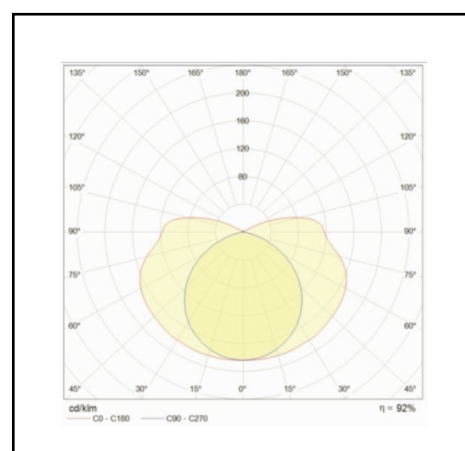
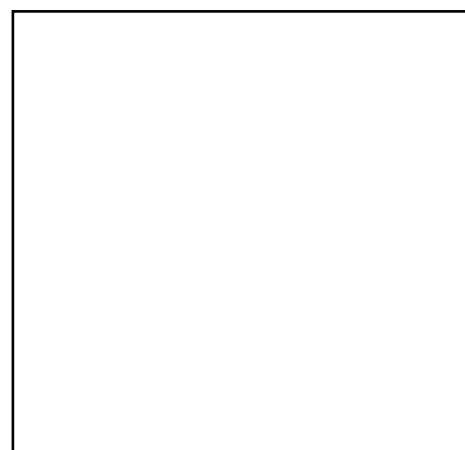
Product data sheet

ATEX909 WATERPROOF

55W – 8600lm – 4000K – 120°



Description	Watertight screen prepared to work in flammable and explosive environments for zone 1-21 and 2-22 ATEX category: II 2G Ex db IIB+H2 T6 Gb and II 2D Ex tb IIIC
Dimensions (mm)	1357mm x 150mm
Weight (kg)	11,5 kg
Housing	Polycarbonate injected with additives
Colour	Grey
Optical system	Polycarbonate – 120°
Lighting Distribution	Direct
Unified Glare Ratio	22
Colour temperature (K)	4000K
CRI (Ra)	>80
SCDM	3
Net lumen output (25°C)	8600lm
Efficacy – LOR (lm/W)	156lm/W
Power (driver incl.)	55 W
Driver	Included
IP	IP 66
IK	IK 10
Lifetime (hours)	50.000h L70 B50
Warranty	5 years
Origin	Spain
Norms	LVD 2006/95/EC EMC 2004/108/EC RoHS 2001/65/EC UNE-EN 60598-1;2015+A1:2018 + EN 62262 CISPR 15:2018 , EN61000-3-2:2019 , EN 61000-3-3:2013 , EN61547:2020
Marks	CE Ex



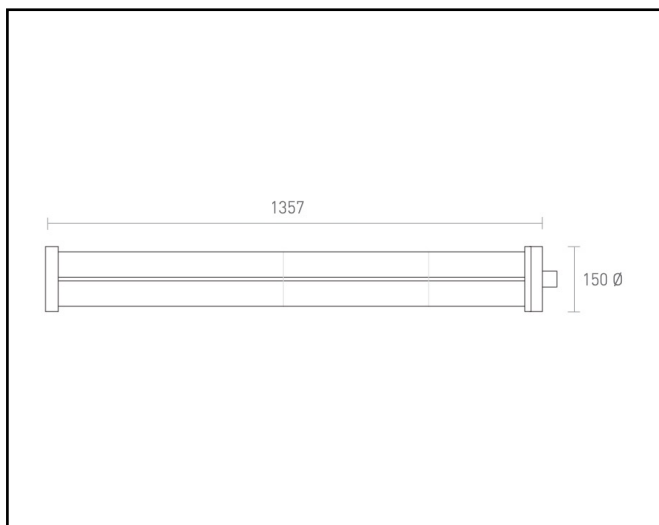
All specifications, descriptions and images are purely informative, not binding and subject to errors and changes

Euro-Luce Light Engineering
Ballingsweg 25 – 9620 Zottegem
info@euro-luce.be
www.euro-luce.be
Tel 0032 54 55 71 10

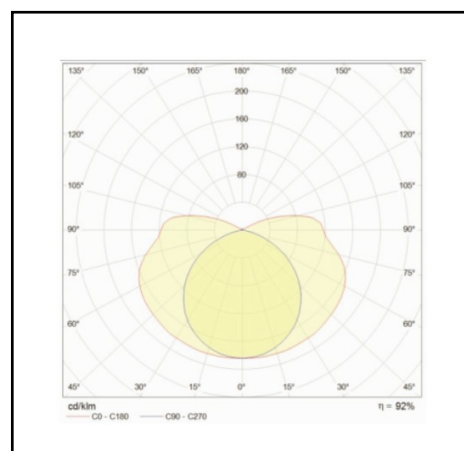
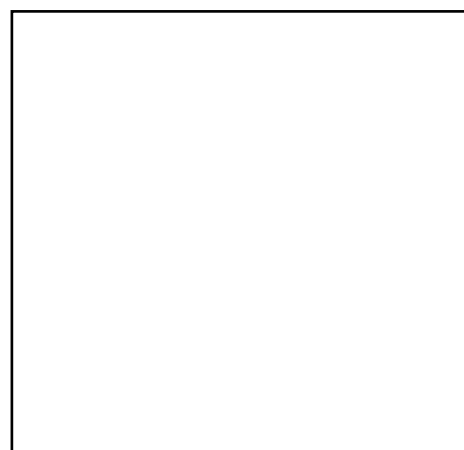
Product data sheet

ATEX909 WATERPROOF

55W – 8600lm – 5000K – 120°



Description	Watertight screen prepared to work in flammable and explosive environments for zone 1-21 and 2-22 ATEX category: II 2G Ex db IIB+H2 T6 Gb and II 2D Ex tb IIIC
Dimensions (mm)	1357mm x 150mm
Weight (kg)	11,5 kg
Housing	Polycarbonate injected with additives
Colour	Grey
Optical system	Polycarbonate – 120°
Lighting Distribution	Direct
Unified Glare Ratio	22
Colour temperature (K)	5000K
CRI (Ra)	>80
SCDM	3
Net lumen output (25°C)	8600lm
Efficacy – LOR (lm/W)	156lm/W
Power (driver incl.)	55 W
Driver	Included
IP	IP 66
IK	IK 10
Lifetime (hours)	50.000h L70 B50
Warranty	5 years
Origin	Spain
Norms	LVD 2006/95/EC EMC 2004/108/EC RoHS 2001/65/EC UNE-EN 60598-1;2015+A1:2018 + EN 62262 CISPR 15:2018 , EN61000-3-2:2019 , EN 61000-3-3:2013 , EN61547:2020
Marks	CE Ex



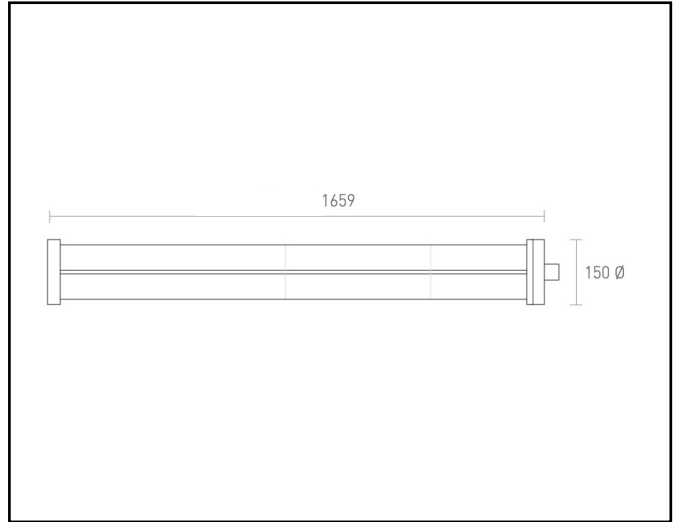
All specifications, descriptions and images are purely informative, not binding and subject to errors and changes

Euro-Luce Light Engineering
Ballingsweg 25 – 9620 Zottegem
info@euro-luce.be
www.euro-luce.be
Tel 0032 54 55 71 10

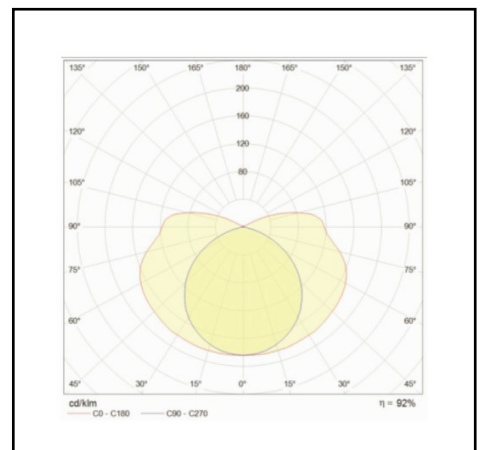
Product data sheet

ATEX909 WATERPROOF

70W – 10740lm – 4000K – 120°



Description	Watertight screen prepared to work in flammable and explosive environments for zone 1-21 and 2-22 ATEX category: II 2G Ex db IIB+H2 T6 Gb and II 2D Ex tb IIIC
Dimensions (mm)	1659mm x 150mm
Weight (kg)	12,3 kg
Housing	Polycarbonate injected with additives
Colour	Grey
Optical system	Polycarbonate – 120°
Lighting Distribution	Direct
Unified Glare Ratio	22
Colour temperature (K)	4000K
CRI (Ra)	>80
SCDM	3
Net lumen output (25°C)	10740lm
Efficacy – LOR (lm/W)	153lm/W
Power (driver incl.)	70 W
Driver	Included
IP	IP 66
IK	IK 10
Lifetime (hours)	50.000h L70 B50
Warranty	5 years
Origin	Spain
Norms	LVD 2006/95/EC EMC 2004/108/EC RoHS 2001/65/EC UNE-EN 60598-1;2015+A1:2018 + EN 62262 CISPR 15:2018 , EN61000-3-2:2019 , EN 61000-3-3:2013 , EN61547:2020
Marks	CE Ex



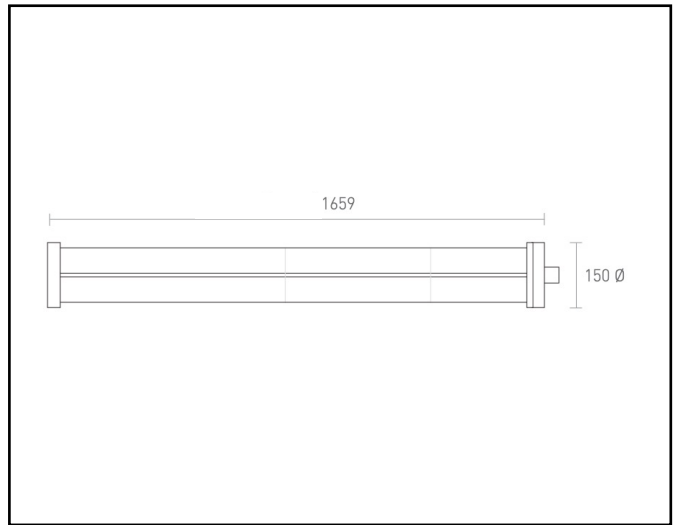
All specifications, descriptions and images are purely informative, not binding and subject to errors and changes

Euro-Luce Light Engineering
Ballingsweg 25 – 9620 Zottegem
info@euro-luce.be
www.euro-luce.be
Tel 0032 54 55 71 10

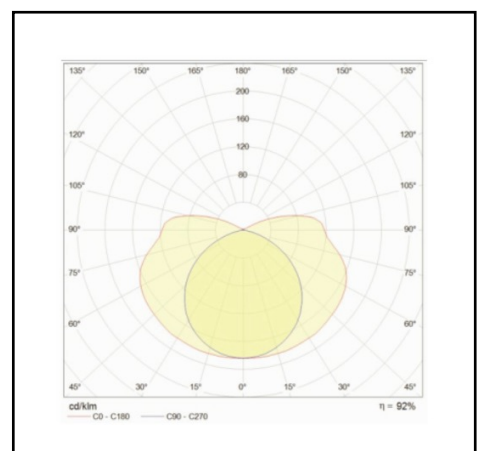
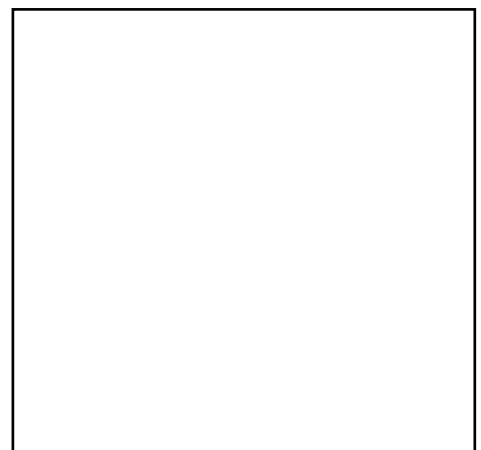
Product data sheet

ATEX909 WATERPROOF

70W – 10740lm – 5000K – 120°



Description	Watertight screen prepared to work in flammable and explosive environments for zone 1-21 and 2-22 ATEX category: II 2G Ex db IIB+H2 T6 Gb and II 2D Ex tb IIIC
Dimensions (mm)	1659mm x 150mm
Weight (kg)	12,3 kg
Housing	Polycarbonate injected with additives
Colour	Grey
Optical system	Polycarbonate – 120°
Lighting Distribution	Direct
Unified Glare Ratio	22
Colour temperature (K)	5000K
CRI (Ra)	>80
SCDM	3
Net lumen output (25°C)	10740lm
Efficacy – LOR (lm/W)	153lm/W
Power (driver incl.)	70 W
Driver	Included
IP	IP 66
IK	IK 10
Lifetime (hours)	50.000h L70 B50
Warranty	5 years
Origin	Spain
Norms	LVD 2006/95/EC EMC 2004/108/EC RoHS 2001/65/EC UNE-EN 60598-1;2015+A1:2018 + EN 62262 CISPR 15:2018 , EN61000-3-2:2019 , EN 61000-3-3:2013 , EN61547:2020
Marks	CE Ex



All specifications, descriptions and images are purely informative, not binding and subject to errors and changes

Euro-Luce Light Engineering
Ballingsweg 25 – 9620 Zottegem
info@euro-luce.be
www.euro-luce.be
Tel 0032 54 55 71 10