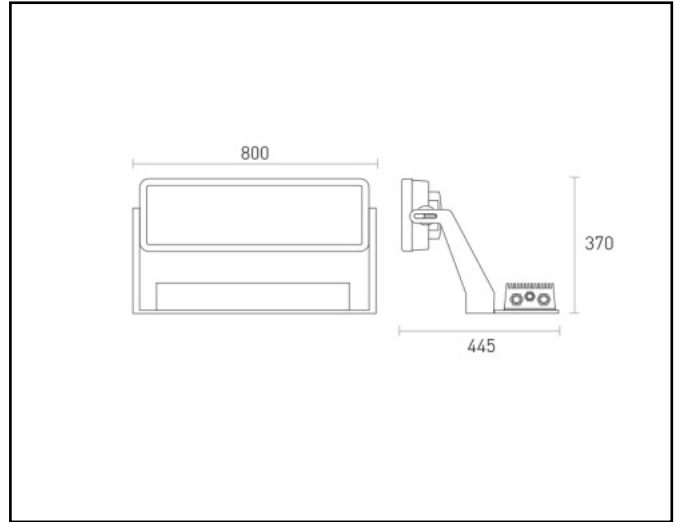


Product data sheet

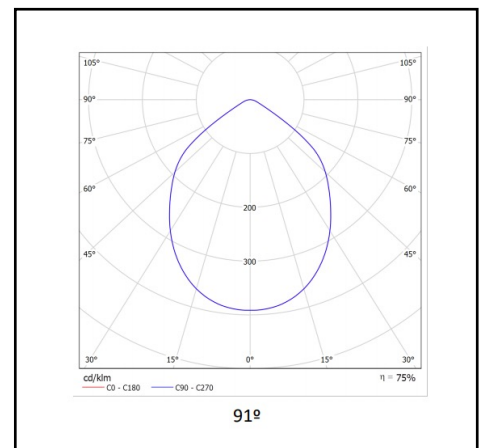


INNVICTUM 500W

500W 65.280lm 740 IP66



Description	Surface mounted LED projector
Dimensions (mm)	800mm x 455mm x 370mm
Weight (kg)	20 kg
Housing	Frame sheet steel – housing die-cast alu
Colour	Grey
Optical system	Clear lenses, polycarbonate
Lighting Distribution	Wide Beam 91°
Unified Glare Ratio	N/A
Colour temperature (K)	4000 K
CRI (Ra)	> 70
SCDM	3
Net lumen output (25°C)	65.280 lm
Efficacy – LOR (lm/W)	130 lm/W
Power (driver incl.)	500 W
Driver	Incorporated – DALI or DMX dimmable
IP	IP 66
IK	IK 10
Lifetime (hours)	60.000 hours L80 B10
Warranty	5 years
Origin	Spain
Norms	LVD 2006/95/EC EMC 2004/108/EC RoHS 2001/65/EC



All specifications, descriptions and images are purely informative, not binding and subject to errors and changes

Euro-Luce Light Engineering
Ballingsweg 25 – 9620 Zottegem
info@euro-luce.be
www.euro-luce.be
Tel 0032 54 55 71 10

Marks

